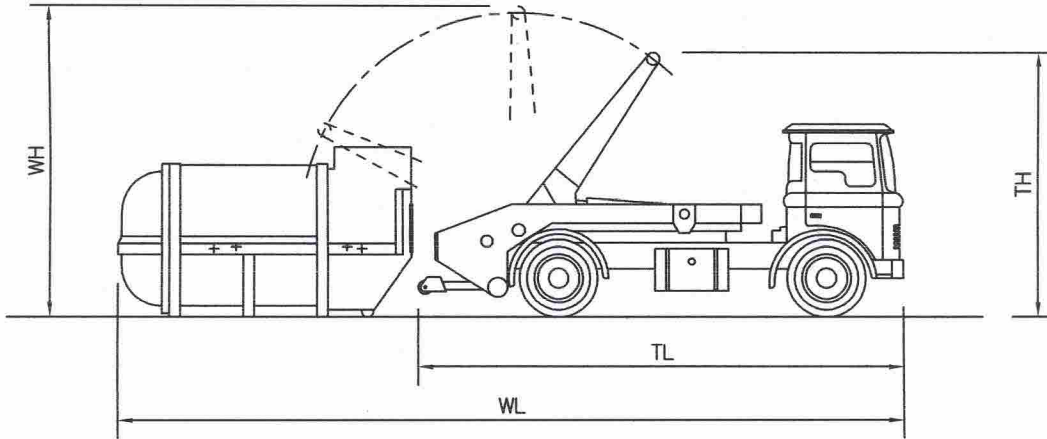


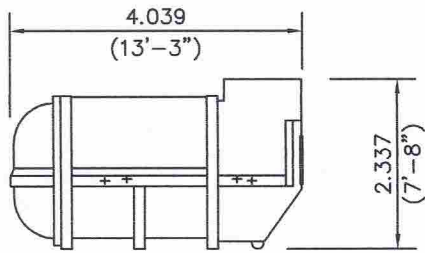
System Specifications

SKIP TYPE CONTAINER VEHICLE

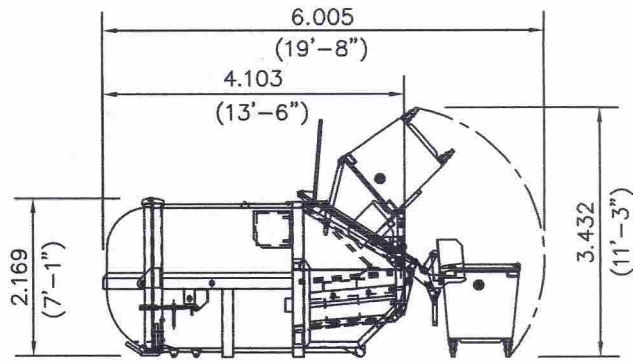


ALL VEHICLE DIMENSIONS ARE APPROXIMATE ACCORDING TO VEHICLE MODEL / CHASSIS HEIGHT

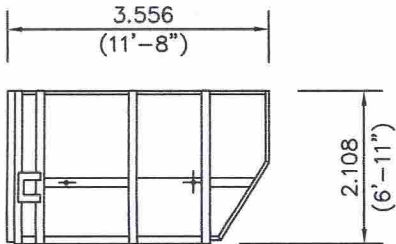
		Travel Length	Working Length	Travel Height	Working Height	Turning Circle	Payload
		TL	WL	TH	WH	(kerb to kerb)	
17 TON GVW (2 axles)	Metres (max)	7.5	10.75	3.8	4.7	13.5	9250 kg
	Feet (max)	24'-7"	35'-3"	12'-6"	15'-5"	44'-3"	9.1 T
24 TON GVW (3 axles)	Metres (max)	7.9	12.95	4.2	4.8	16.0	12750 kg
	Feet (max)	25'-11"	42'-6"	13'-10"	15'-9"	52'-6"	12.5 T



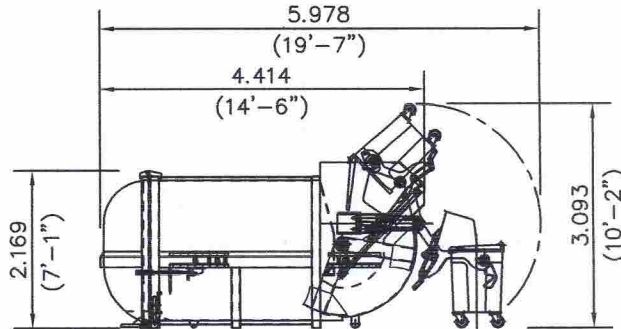
PP1 - PortaPacker 14



PP1 - PortaPacker 14 with bin lifter.



10.7cu.m (14cu.yd) Compaction Container



PP14S with bin lifter

ALL CONTAINERS ARE 1.86m (6'-1") WIDE

G:\DRGS\MISC\PUBSHT1

02	MACHINES WITH LIFTERS ADDED	CD/23.10.13	SCALE	DRAWN	LD/CAD	THETFORD INTERNATIONAL LIMITED RYMER POINT BURY RD THETFORD NORFOLK IP24 2PN TEL: THETFORD (01842) 890500 FAX: (01842) 890077
01	GENERAL UPDATE	LD/15.02.08	1:100 SCALED	CHKD		
MOD	REVISION	BY/DATE		APPD		DRAWING TITLE
				DATE	15.02.08	SKIP TYPE CONTAINER VEHICLE
THIS DRAWING IS ISSUED ON CONDITION THAT IT IS NOT COPIED, REPRODUCED OR DISCLOSED TO A THIRD PARTY WITHOUT THE WRITTEN CONSENT OF THETFORD INTERNATIONAL LIMITED						DRAWING No.
						STANDARD
						PUBSHT1